

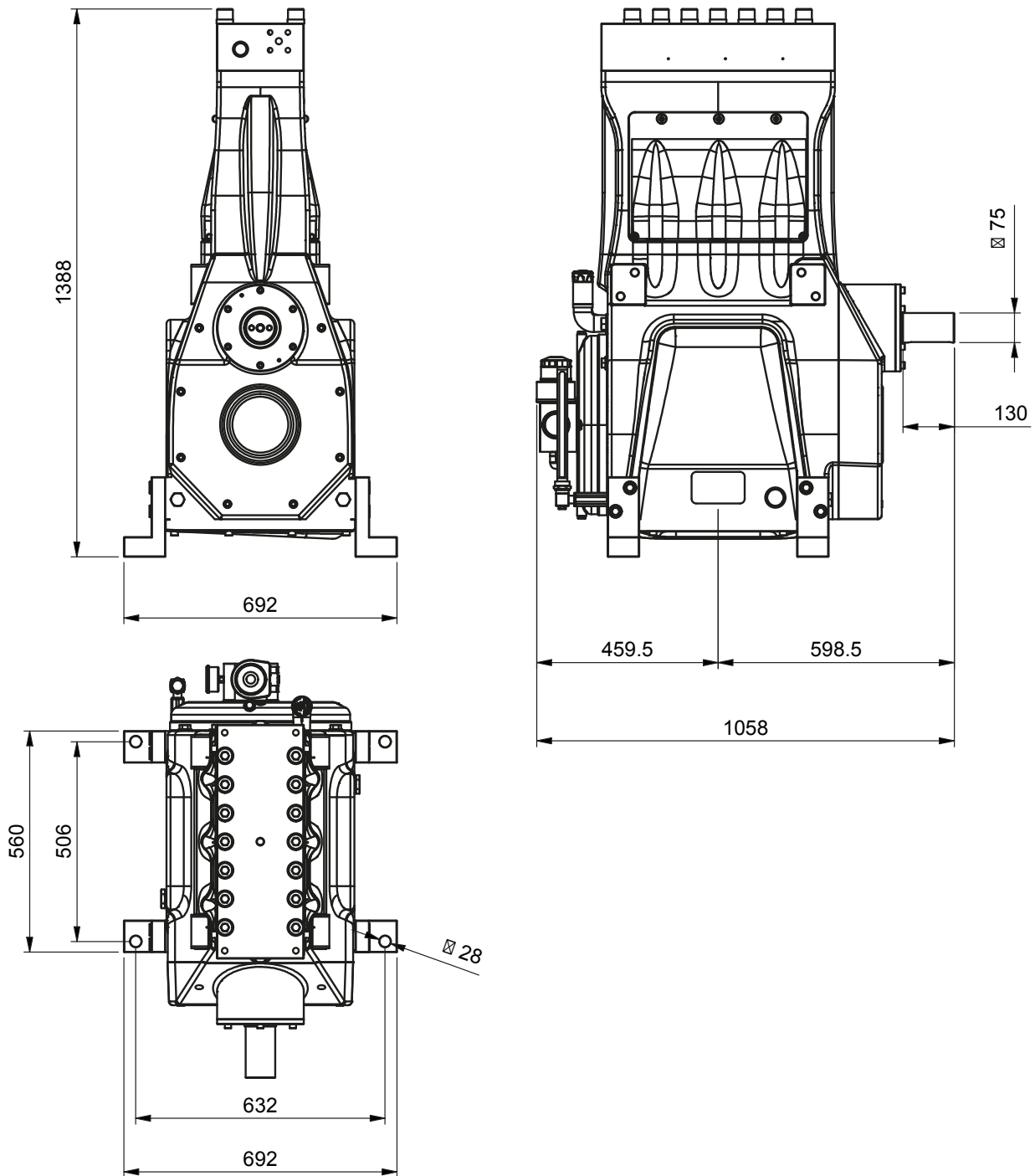
Ultra high pressure 3 pistons pump model

A3230BT-280-S20x



Ultra high pressure 3 pistons pump model

A3230BT-280-S20x



Ultra high pressure 3 pistons pump model

A3230BT-280-S20x

Technical parameters Pump model A3230BT-280-S20x

→ Input	1500 rpm
→ Output	420 rpm
→ Net weight	1175 kg
→ Max pressure	2800 bar
→ Flow	40 L/min
→ Power	224 kW

