

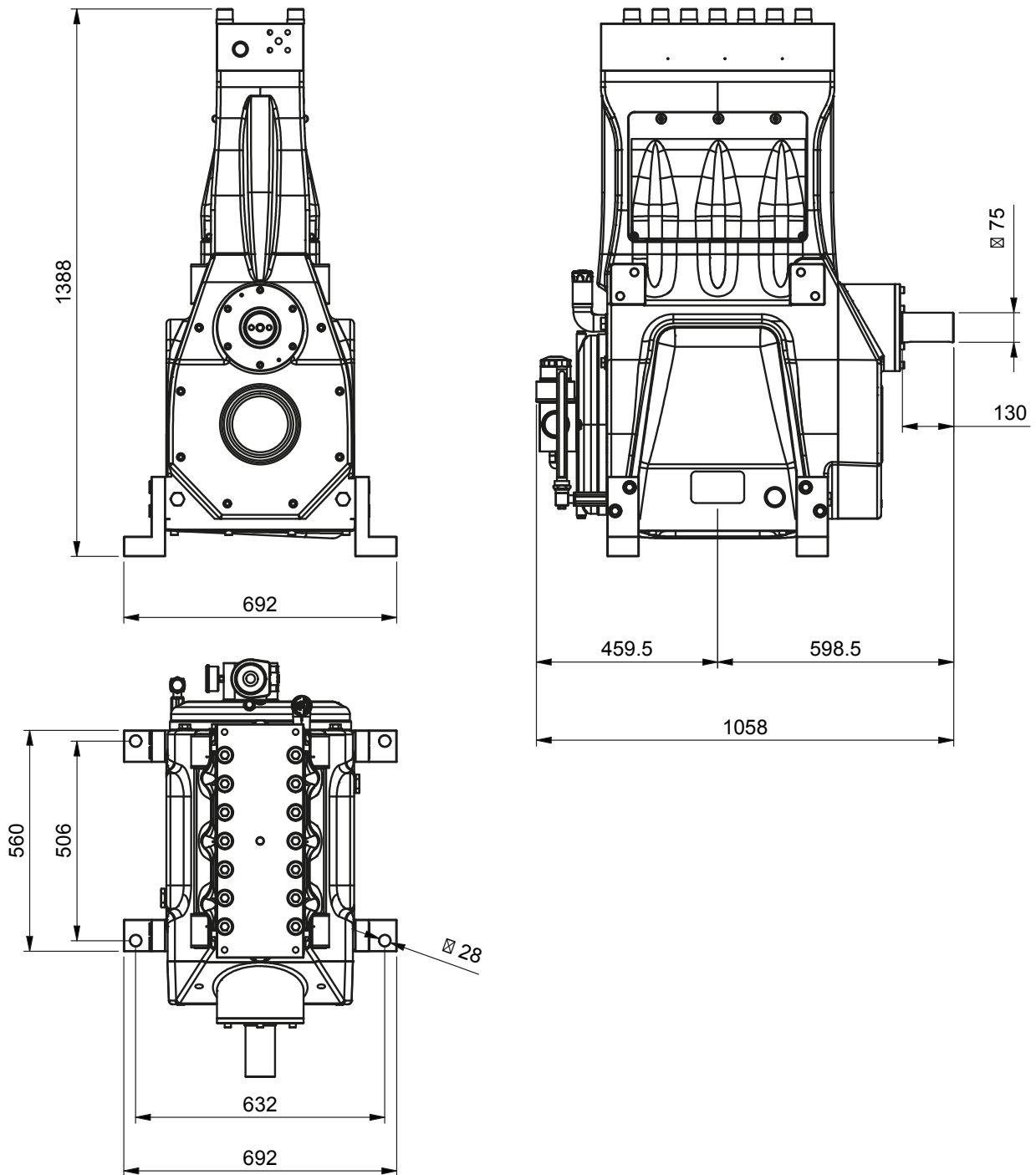
Ultra high pressure 3 pistons pump model

A3230BT-280-S20x



Ultra high pressure 3 pistons pump model

A3230BT-280-S20x



Ultra high pressure 3 pistons pump model

A3230BT-280-S20x

Parametri tecnici	Modello pompa A3230BT-280-S20x
→ Input	1500 rpm
→ Output	420 rpm
→ Peso netto	1175 kg
→ Pressione massima	2800 bar
→ Flusso	40 L/min
→ Potenza	224 kW

